



Precision LOGARITHMIC AND LOG RATIO AMPLIFIERS

FEATURES

- EASY-TO-USE COMPLETE FUNCTION
- OUTPUT SCALING AMPLIFIER
- ON-CHIP 2.5V VOLTAGE REFERENCE
- HIGH ACCURACY: 0.2% FSO Over 5 Decades
- WIDE INPUT DYNAMIC RANGE:
7.5 Decades, 100pA to 3.5mA
- LOW QUIESCENT CURRENT: 1.75mA
- WIDE SUPPLY RANGE: $\pm 4.5V$ to $\pm 18V$
- PACKAGES: SO-14 (narrow) and SO-16

APPLICATIONS

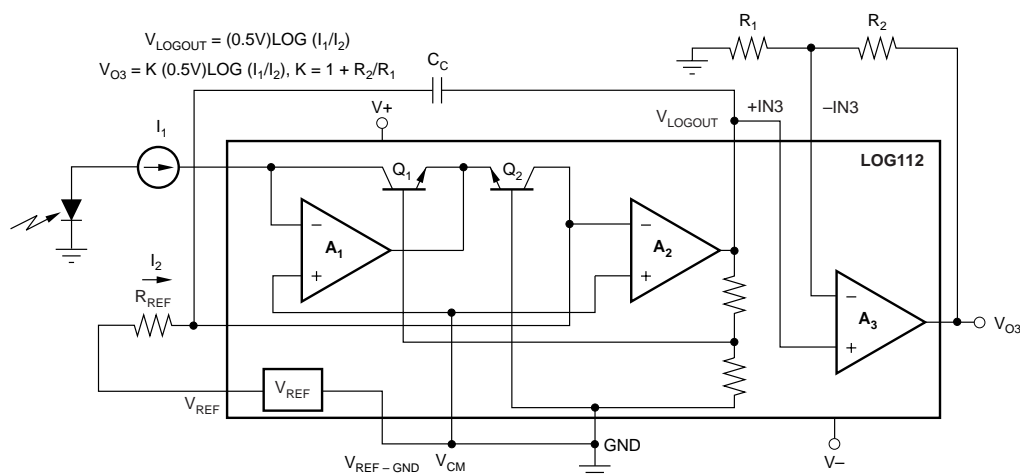
- LOG, LOG RATIO:
Communication, Analytical, Medical, Industrial,
Test, General Instrumentation
- PHOTODIODE SIGNAL COMPRESSION AMP
- ANALOG SIGNAL COMPRESSION IN FRONT
OF ANALOG-TO-DIGITAL (A/D) CONVERTER
- ABSORBANCE MEASUREMENT
- OPTICAL DENSITY MEASUREMENT

DESCRIPTION

The LOG112 and LOG2112 are versatile integrated circuits that compute the logarithm or log ratio of an input current relative to a reference current. V_{LOGOUT} of the LOG112 and LOG2112 are trimmed to 0.5V per decade of input current, ensuring high precision over a wide dynamic range of input signals.

The LOG112 and LOG2112 features a 2.5V voltage reference that may be used to generate a precision current reference using an external resistor.

Low DC offset voltage and temperature drift allow accurate measurement of low-level signals over the specified temperature range of -5°C to $+75^{\circ}\text{C}$.



NOTE: Internal resistors are used to compensate gain change over temperature. The V_{CM} pin is internally connected to GND in the LOG2112.



Please be aware that an important notice concerning availability, standard warranty, and use in critical applications of Texas Instruments semiconductor products and disclaimers thereto appears at the end of this data sheet.

All trademarks are the property of their respective owners.

PRODUCTION DATA information is current as of publication date. Products conform to specifications per the terms of Texas Instruments standard warranty. Production processing does not necessarily include testing of all parameters.



Copyright © 2002-2005, Texas Instruments Incorporated

ABSOLUTE MAXIMUM RATINGS⁽¹⁾

Supply Voltage, V+ to V-	±18V
Inputs	±18V
Input Current	±10mA
Output Short-Circuit Current ⁽²⁾	Continuous
Operating Temperature	-40°C to +85°C
Storage Temperature	-55°C to +125°C
Junction Temperature	+150°C
Lead Temperature (soldering, 10s)	+300°C

NOTES: (1) Stresses above these ratings may cause permanent damage. Exposure to absolute maximum conditions for extended periods may degrade device reliability. (2) One output per package.



ELECTROSTATIC DISCHARGE SENSITIVITY

This integrated circuit can be damaged by ESD. Texas Instruments recommends that all integrated circuits be handled with appropriate precautions. Failure to observe proper handling and installation procedures can cause damage.

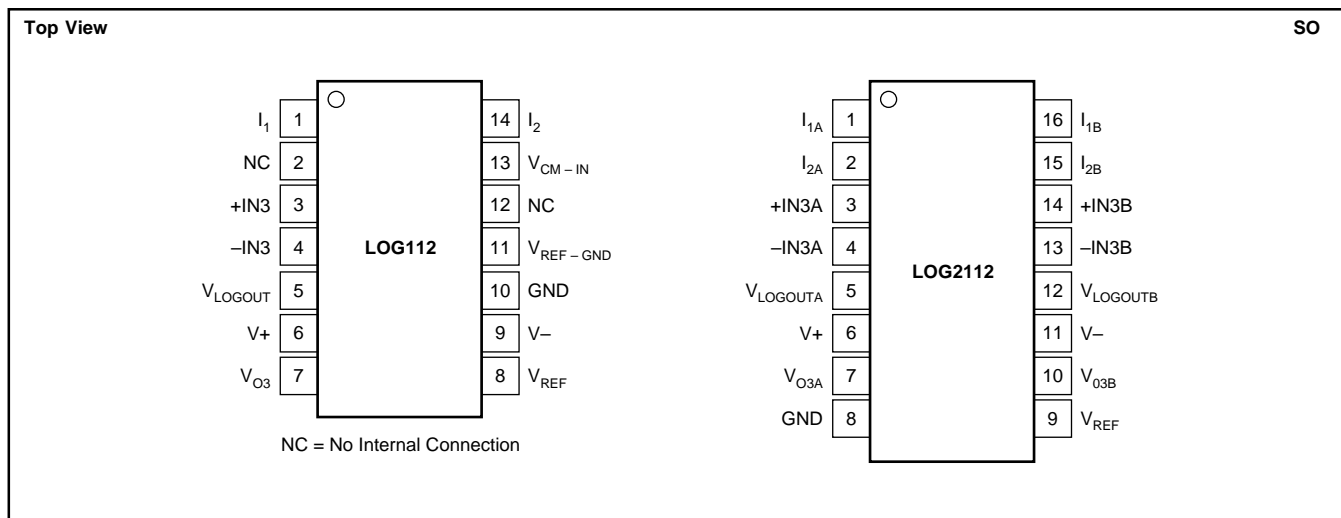
ESD damage can range from subtle performance degradation to complete device failure. Precision integrated circuits may be more susceptible to damage because very small parametric changes could cause the device not to meet its published specifications.

PACKAGE/ORDERING INFORMATION⁽¹⁾

PRODUCT	PACKAGE-LEAD	PACKAGE DESIGNATOR	PACKAGE MARKING
LOG112	SO-14	D	LOG112A
LOG2112	SO-16	DW	LOG2112A

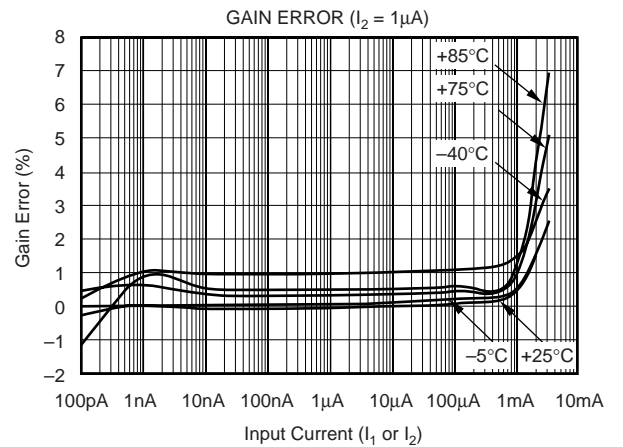
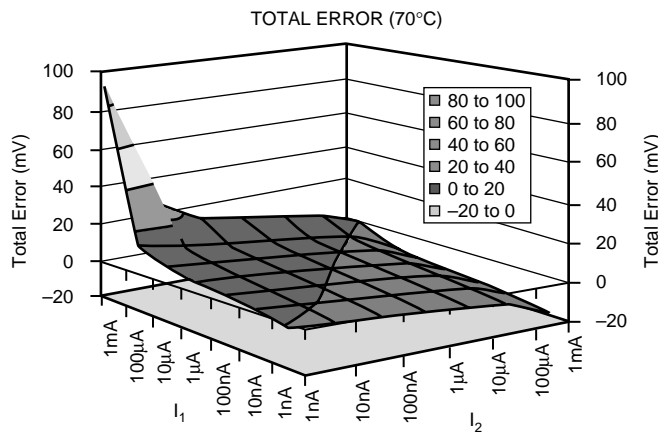
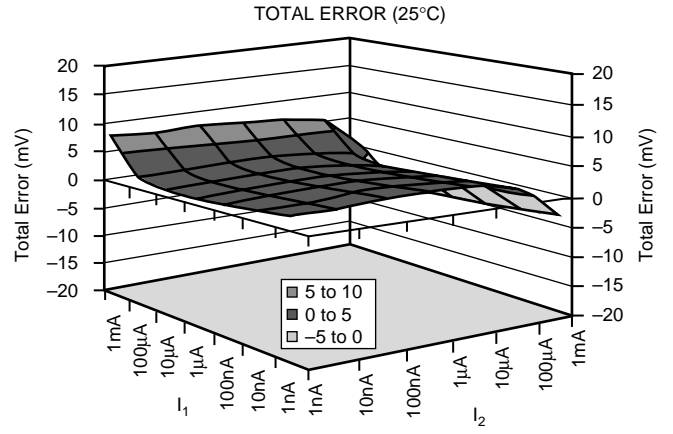
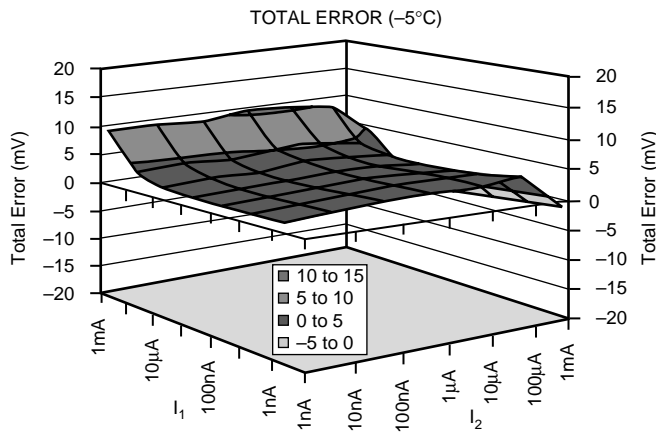
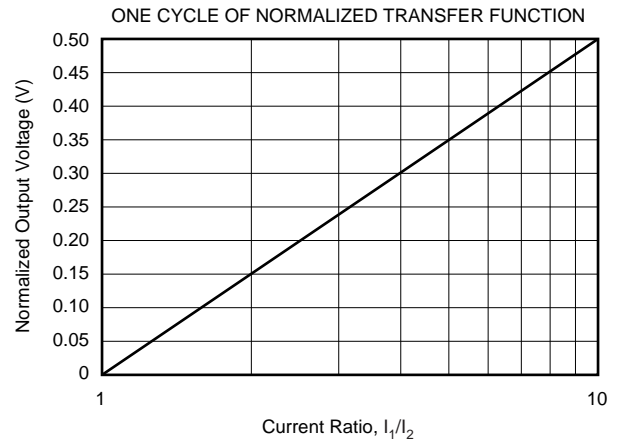
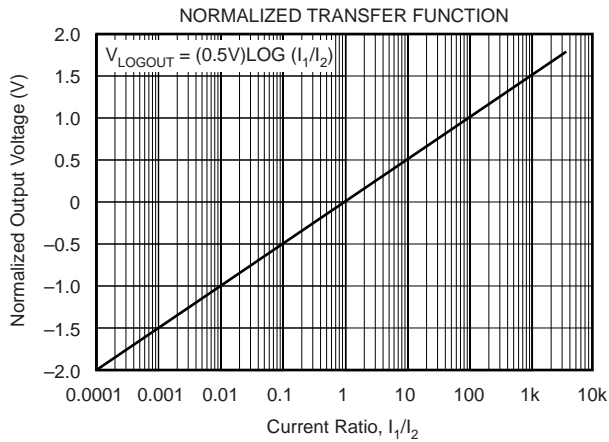
NOTES: (1) For the most current package and ordering information, see the Package Option Addendum at the end of this document, or see the TI website at www.ti.com.

PIN CONFIGURATION



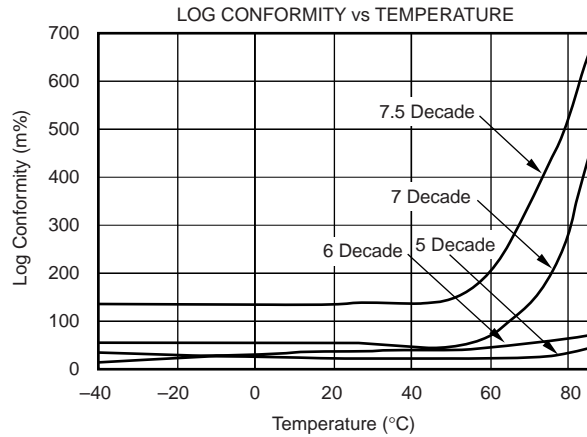
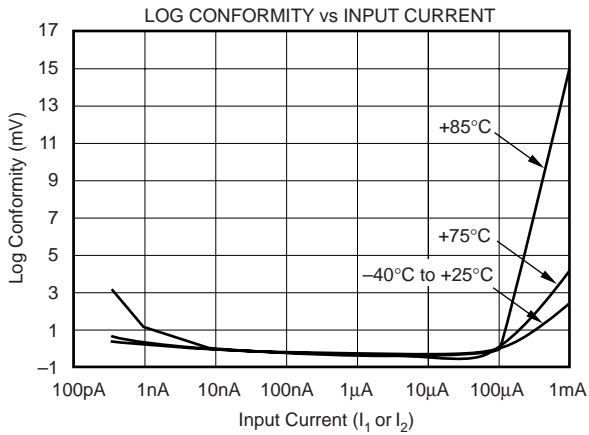
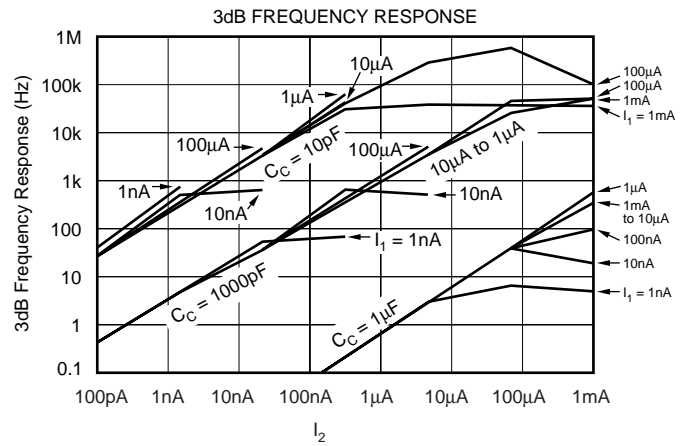
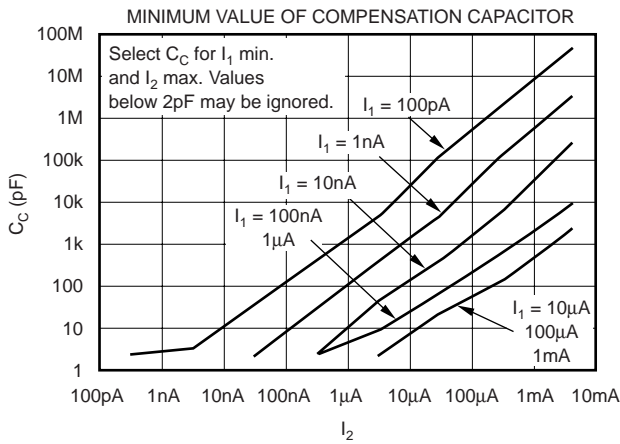
TYPICAL CHARACTERISTICS

At $T_A = +25^\circ\text{C}$, $V_S = \pm 5\text{V}$, and $R_L = 10\text{k}\Omega$, unless otherwise noted.



TYPICAL CHARACTERISTICS (Cont.)

At $T_A = +25^\circ\text{C}$, $V_S = \pm 5\text{V}$, and $R_L = 10\text{k}\Omega$, unless otherwise noted.



APPLICATION INFORMATION

The LOG112 is a true logarithmic amplifier that uses the base-emitter voltage relationship of bipolar transistors to compute the logarithm, or logarithmic ratio of a current ratio.

Figure 1 and Figure 2 show the basic connections required for operation of the LOG112 and LOG2112. In order to reduce the influence of lead inductance of power-supply lines, it is recommended that each supply be bypassed with a 10µF tantalum capacitor in parallel with a 1000pF ceramic capacitor, as shown in Figure 1 and Figure 2. Connecting the capacitors as close to the LOG112 and LOG2112 as possible will contribute to noise reduction as well.

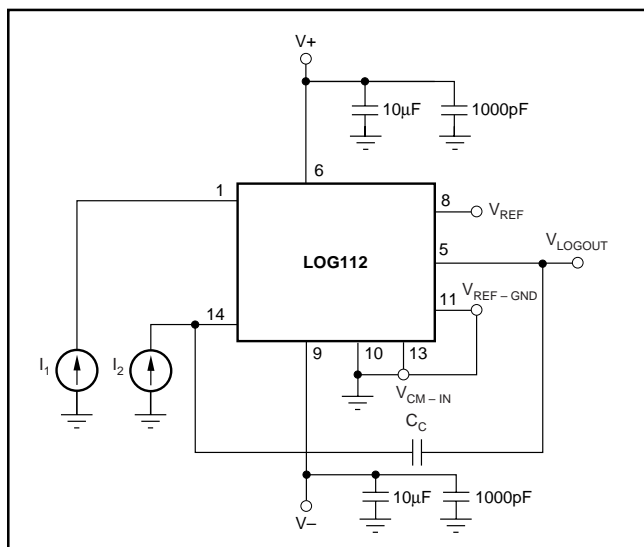


FIGURE 1. Basic Connections of the LOG112.

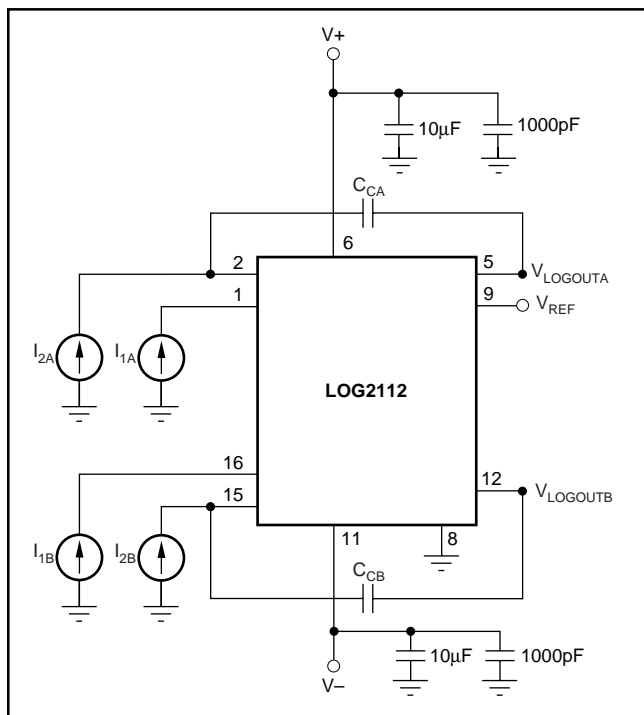


FIGURE 2. Basic Connections of the LOG2112.

INPUT CURRENT RANGE

To maintain specified accuracy, the input current range of the LOG112 and LOG2112 should be limited from 100pA to 3.5mA. Input currents outside of this range may compromise the LOG112 performance. Input currents larger than 3.5mA result in increased nonlinearity. An absolute maximum input current rating of 10mA is included to prevent excessive power dissipation that may damage the input transistor.

On ±5V supplies, the total input current ($I_1 + I_2$) is limited to 4.5mA. Due to compliance issues internal to the LOG112 and LOG2112, to accommodate larger total input currents, supplies should be increased.

SETTING THE REFERENCE CURRENT

When the LOG112 and LOG2112 are used to compute logarithms, either I_1 or I_2 can be held constant to become the reference current to which the other is compared.

V_{LOGOUT} is expressed as:

$$V_{LOGOUT} = (0.5V) \text{LOG} (I_1/I_{REF}) \quad (1)$$

I_{REF} can be derived from an external current source (such as that shown in Figure 3), or it may be derived from a voltage source with one or more resistors. When a single resistor is used, the value may be large depending on I_{REF} . If I_{REF} is 10nA and +2.5V is used:

$$R_{REF} = 2.5V/10nA = 250M\Omega \quad (2)$$

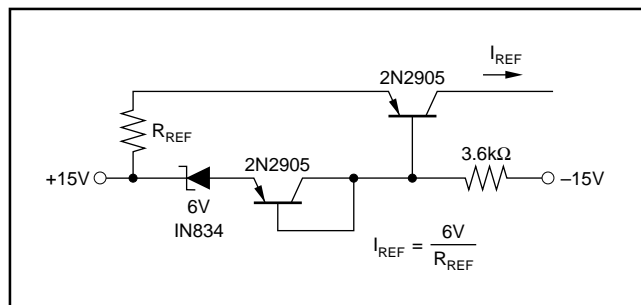


FIGURE 3. Temperature Compensated Current Source.

A voltage divider may be used to reduce the value of the resistor, as shown in Figure 4. When using this method, one must consider the possible errors caused by the amplifier's input offset voltage. The input offset voltage of amplifier A_1 has a maximum value of 1.5mV, making V_{REF} a suggested value of 100mV.

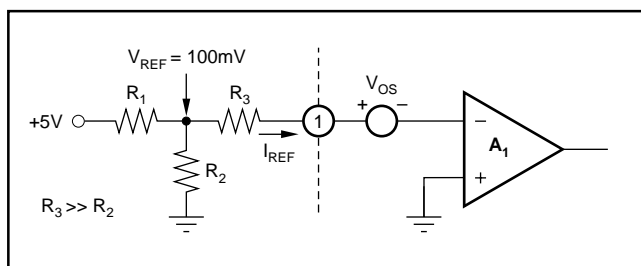


FIGURE 4. T Network for Reference Current.

Figure 5 shows a low-level current source using a series resistor. The low offset op amp reduces the effect of the LOG112 and LOG2112's input offset voltage.

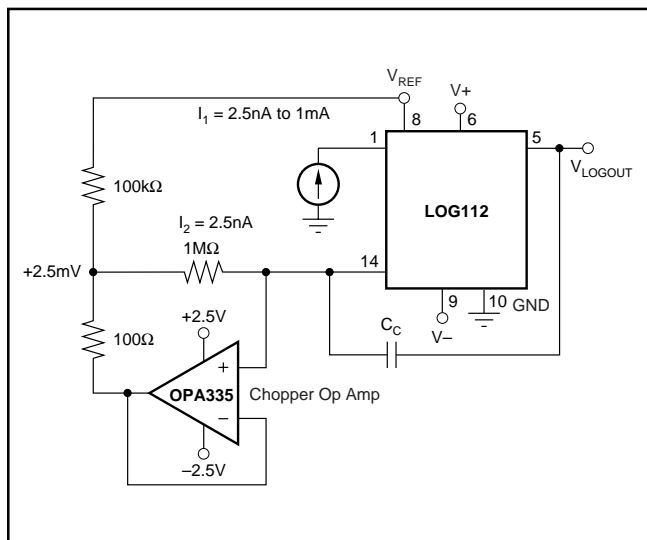


FIGURE 5. Current Source with Offset Compensation.

FREQUENCY RESPONSE

The frequency response curves seen in the Typical Characteristic curves are shown for constant DC I_1 and I_2 with a small-signal AC current on one input.

The 3dB frequency response of the LOG112 and LOG2112 are a function of the magnitude of the input current levels and of the value of the frequency compensation capacitor. See Typical Characteristic curve, *3dB Frequency Response* for details.

The transient response of the LOG112 and LOG2112 are different for increasing and decreasing signals. This is due to the fact that a log amp is a nonlinear gain element and has different gains at different levels of input signals. Smaller input currents require greater gain to maintain full dynamic range, and will slow the frequency response of the LOG112 and LOG2112.

FREQUENCY COMPENSATION

Frequency compensation for the LOG112 is obtained by connecting a capacitor between pins 5 and 14. Frequency compensation for the LOG2112 is obtained by connecting a capacitor between pins 2 and 5, or 15 and 12. The size of the capacitor is a function of the input currents, as shown in the Typical Characteristic curves (*Minimum Value of Compensation Capacitor*). For any given application, the smallest value of the capacitor which may be used is determined by the maximum value of I_2 and the minimum value of I_1 . Larger values of C_C make the LOG112 and LOG2112 more stable, but reduce the frequency response.

In an application, highest overall bandwidth can be achieved by detecting the signal level at V_{OUT} , then switching in appropriate values of compensation capacitors.

NEGATIVE INPUT CURRENTS

The LOG112 and LOG2112 function only with positive input currents (conventional current flows into input current pins). In situations where negative input currents are needed, the circuits in Figures 6, 7, and 8 may be used.

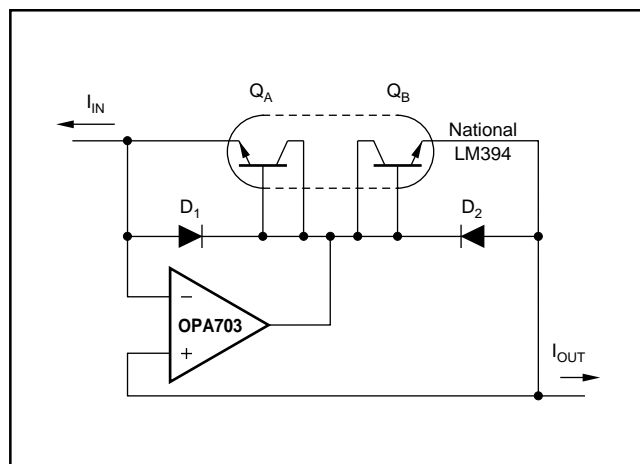
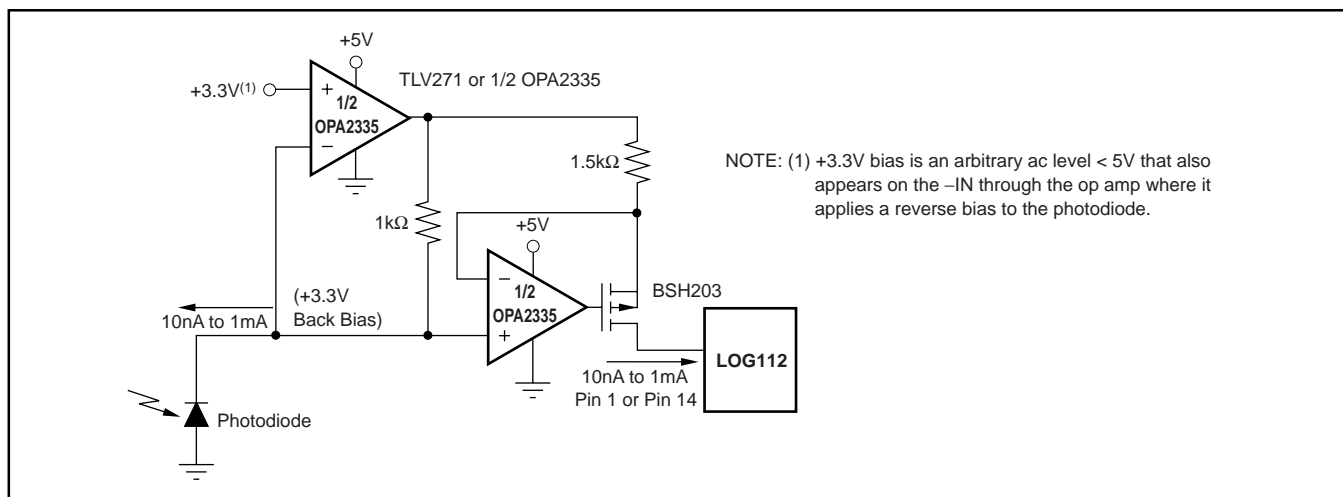


FIGURE 6. Current Inverter/Current Source.



NOTE: (1) +3.3V bias is an arbitrary ac level < 5V that also appears on the -IN through the op amp where it applies a reverse bias to the photodiode.

FIGURE 7. Precision Current Inverter/Current Source.

VOLTAGE INPUTS

The LOG112 and LOG2112 give the best performances with current inputs. Voltage inputs may be handled directly with series resistors, but the dynamic input range is limited to approximately three decades of input voltage by voltage noise and offsets. The transfer function of Equation 13 applies to this configuration.

ACHIEVING HIGHER ACCURACY WITH HIGHER INPUT CURRENTS

As input current to the LOG112 increases, output accuracy degrades. For a 4.5mA input current on $\pm 5V$ supplies and a 10mA input current on $\pm 12V$ supplies, total output error can be between 15% and 25%. Applying a common-mode volt-

age to V_{CM} of at least +1V and up to 2.5V, brings the log transistors out of saturation and reduces output error to approximately 10%. To avoid forward biasing a photodiode, return the cathode to the V_{CM} pin, as shown in Figure 9. To reverse bias the photodiode, apply a more positive voltage to the cathode than the anode.

APPLICATION CIRCUITS

LOG RATIO

One of the more common uses of log ratio amplifiers is to measure absorbance. See Figure 10 for a typical application.

$$\text{Absorbance of the sample is } A = \log \lambda_1' / \lambda_1 \quad (3)$$

$$\text{If } D_1 \text{ and } D_2 \text{ are matched } A \propto (0.5V) \log I_1 / I_2 \quad (4)$$

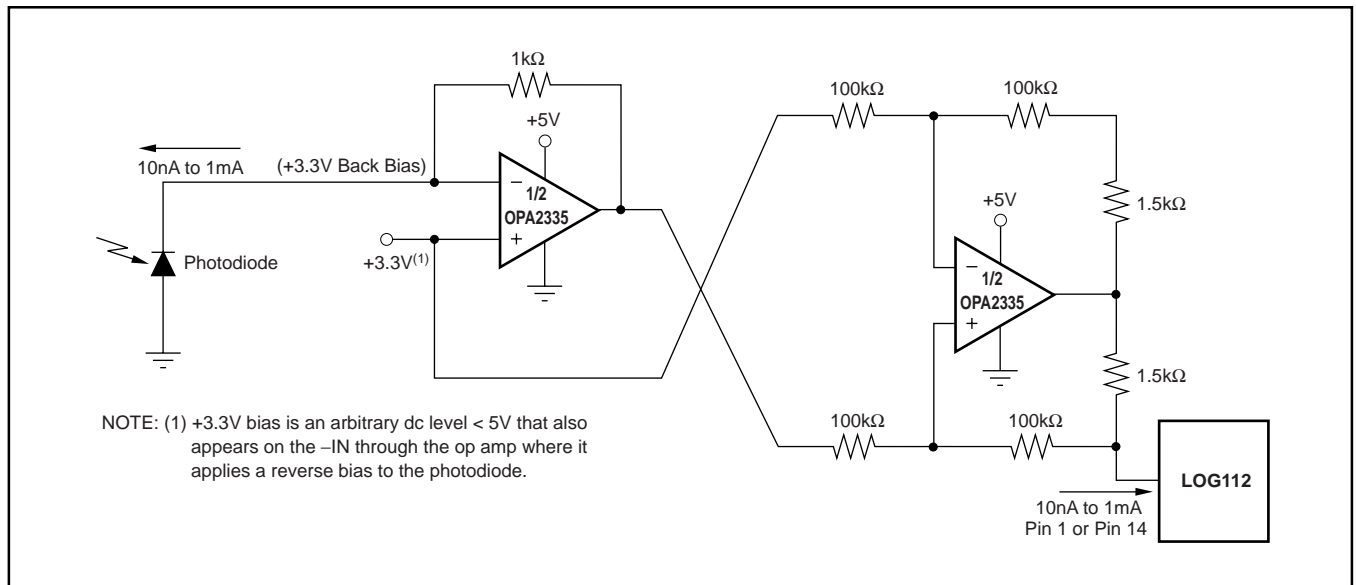


FIGURE 8. Precision Current Inverter/Current Source.

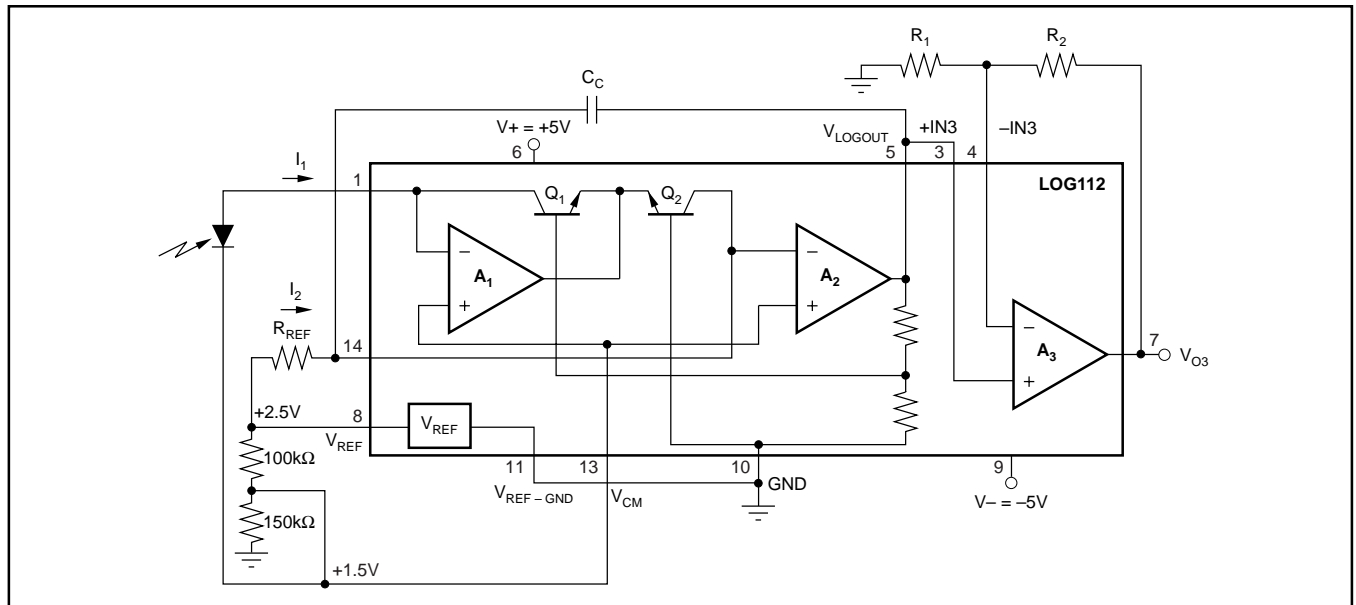


FIGURE 9. Extending Input Current Level and Improving Accuracy by Applying a Common-Mode Voltage.

DATA COMPRESSION

In many applications, the compressive effects of the logarithmic transfer function are useful. For example, a LOG112 preceding a 12-bit A/D converter can produce the dynamic range equivalent to a 20-bit converter.

OPERATION ON SINGLE SUPPLY

Many applications do not have the dual supplies required to operate the LOG112 and LOG2112. Figure 11 shows the LOG112 and LOG2112 configured for operation with a single +5V supply.

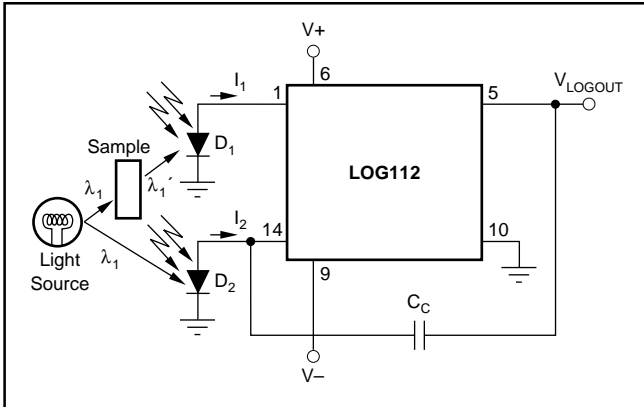


FIGURE 10. Absorbance Measurement.

MEASURING AVALANCHE PHOTODIODE CURRENT

The wide dynamic range of the LOG112 and LOG2112 is useful for measuring avalanche photodiode current (APD), as shown in Figure 12.

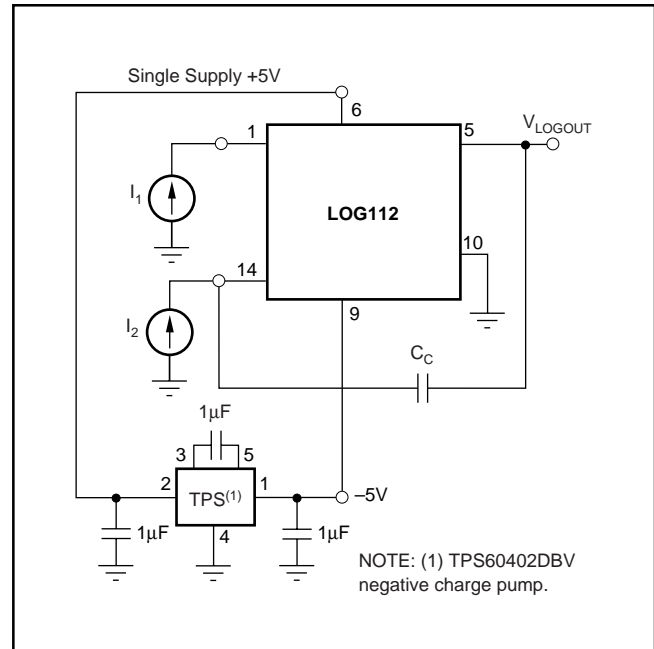


FIGURE 11. Single +5V Power-Supply Operation.

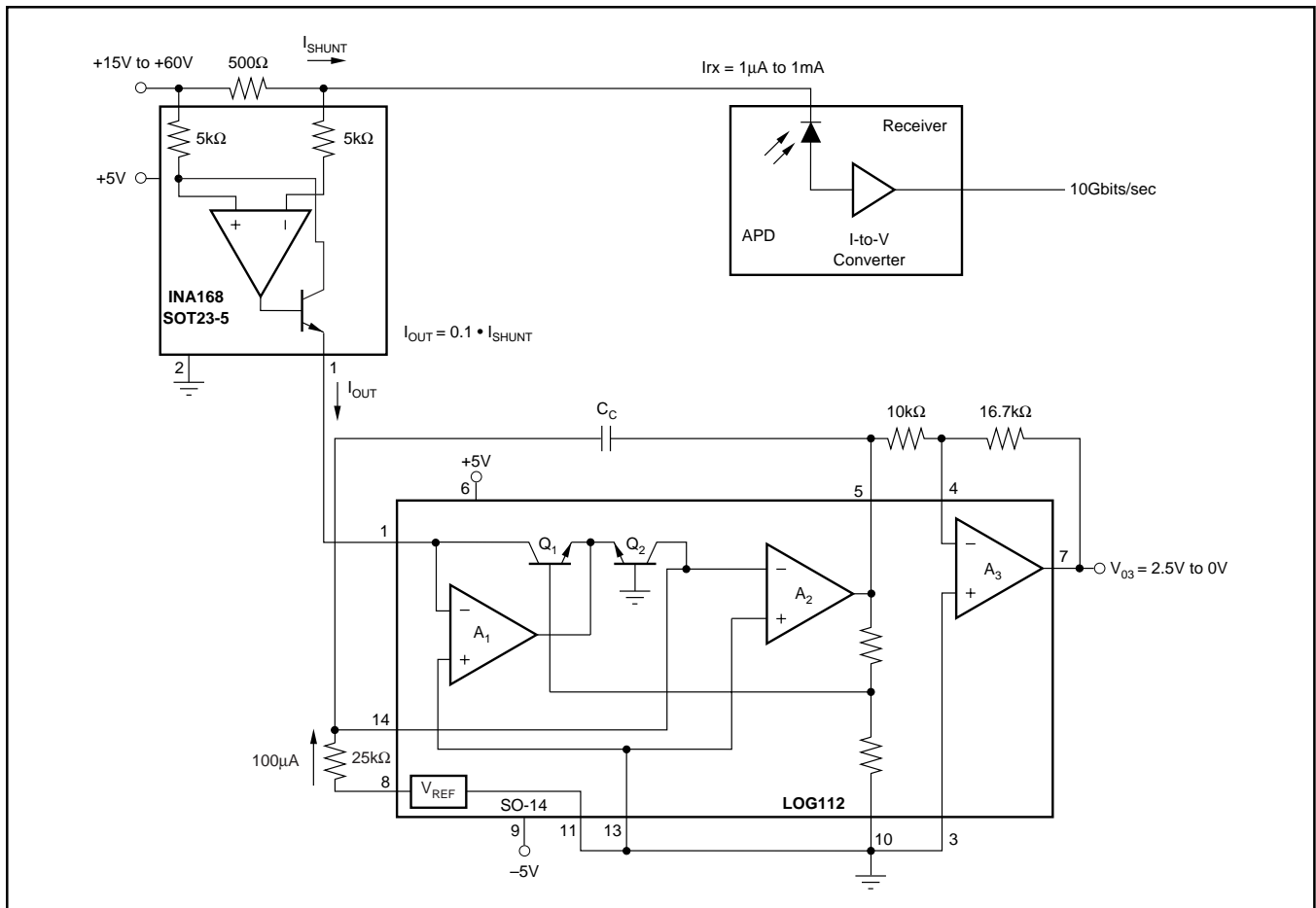


FIGURE 12. High-Side Shunt for APD Measures 3 Decades of APD Current.

INSIDE THE LOG112

Using the base-emitter voltage relationship of matched bipolar transistors, the LOG112 establishes a logarithmic function of input current ratios. Beginning with the base-emitter voltage defined as:

$$V_{BE} = V_T \ln \frac{I_C}{I_S} \quad \text{where: } V_T = \frac{kT}{q} \quad (1)$$

k = Boltzmann's constant = $1.381 \cdot 10^{-23}$

T = Absolute temperature in degrees Kelvin

q = Electron charge = $1.602 \cdot 10^{-19}$ Coulombs

I_C = Collector current

I_S = Reverse saturation current

From the circuit in Figure 12:

$$V_L = V_{BE1} - V_{BE2} \quad (2)$$

Substituting (1) into (2) yields:

$$V_L = V_{T1} \ln \frac{I_1}{I_{S1}} - V_{T2} \ln \frac{I_2}{I_{S2}} \quad (3)$$

If the transistors are matched and isothermal and $V_{T1} = V_{T2}$, then (3) becomes:

$$V_L = V_{T1} \left[\ln \frac{I_1}{I_S} - \ln \frac{I_2}{I_S} \right] \quad (4)$$

$$V_L = V_T \ln \frac{I_1}{I_2} \quad \text{and since} \quad (5)$$

$$\ln x = 2.3 \log_{10} x \quad (6)$$

$$V_L = n V_T \log \frac{I_1}{I_2} \quad (7)$$

$$\text{where } n = 2.3 \quad (8)$$

also

$$V_{OUT} = V_L \frac{R_1 + R_2}{R_1} \quad (9)$$

$$V_{OUT} = \frac{R_1 + R_2}{R_1} n V_T \log \frac{I_1}{I_2} \quad (10)$$

or

$$V_{OUT} = (0.5V) \text{LOG} \left(\frac{I_1}{I_2} \right) \quad (11)$$

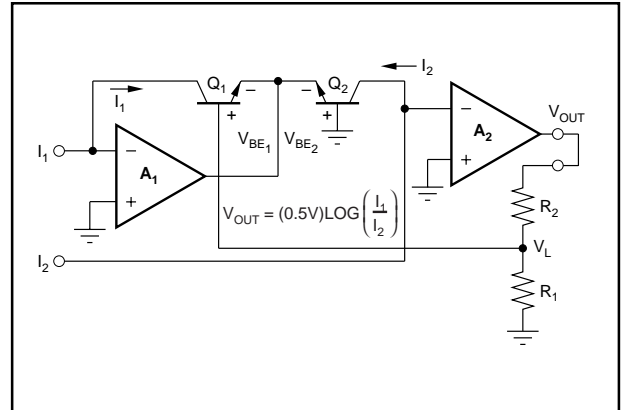


FIGURE 13. Simplified Model of a Log Amplifier.

NOTE: R_1 is a metal resistor used to compensate for gain over temperature.

DEFINITION OF TERMS

TRANSFER FUNCTION

The ideal transfer function is:

$$V_{\text{LOGOUT}} = (0.5V) \text{LOG} (I_1/I_2)$$

Figure 14 shows the graphical representation of the transfer over valid operating range for the LOG112 and LOG2112.

ACCURACY

Accuracy considerations for a log ratio amplifier are somewhat more complicated than for other amplifiers. This is because the transfer function is nonlinear and has two inputs, each of which can vary over a wide dynamic range. The accuracy for any combination of inputs is determined from the total error specification.

TOTAL ERROR

The total error is the deviation (expressed in mV) of the actual output from the ideal output of $V_{\text{LOGOUT}} = (0.5V) \text{LOG} (I_1/I_2)$.

Thus,

$$V_{\text{LOGOUT(ACTUAL)}} = V_{\text{LOGOUT(IDEAL)}} \pm \text{Total Error} \quad (6)$$

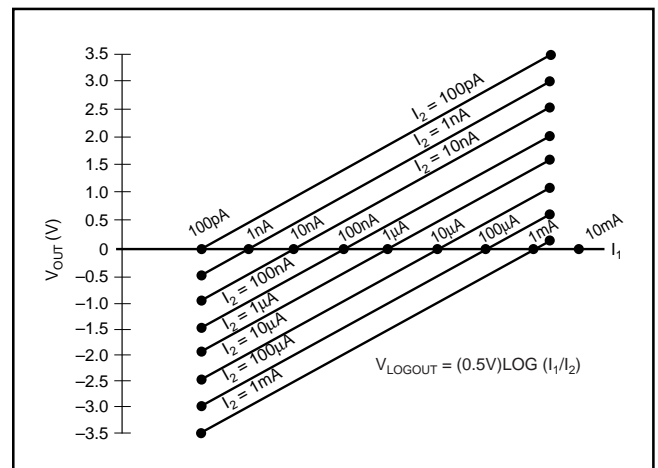


FIGURE 14. Transfer Function with Varying I_2 and I_1 .

It represents the sum of all the individual components of error normally associated with the log amp when operated in the current input mode. The worst-case error for any given ratio of I_1/I_2 is the largest of the two errors when I_1 and I_2 are considered separately. Temperature can affect total error.

ERRORS RTO AND RTI

As with any transfer function, errors generated by the function may be Referred-to-Output (RTO) or Referred-to-Input (RTI). In this respect, log amps have a unique property: given some error voltage at the log amp's output, that error corresponds to a constant percent of the input regardless of the actual input level.

LOG CONFORMITY

For the LOG112 and LOG2112, log conformity is calculated the same as linearity and is plotted I_1/I_2 on a semi-log scale. In many applications, log conformity is the most important specification. This is true because bias current errors are negligible (5pA compared to input currents of 100pA and above) and the scale factor and offset errors may be trimmed to zero or removed by system calibration. This leaves log conformity as the major source of error.

Log conformity is defined as the peak deviation from the best fit straight line of the V_{LOGOUT} versus $\log(I_1/I_2)$ curve. This is expressed as a percent of ideal full-scale output. Thus, the nonlinearity error expressed in volts over m decades is:

$$V_{\text{LOGOUT (NONLIN)}} = 0.5V/\text{dec} \cdot 2NmV \quad (7)$$

where N is the log conformity error, in percent.

INDIVIDUAL ERROR COMPONENTS

The ideal transfer function with current input is:

$$V_{\text{LOGOUT}} = (0.5V)\text{LOG}\left(\frac{I_1}{I_2}\right) \quad (8)$$

The actual transfer function with the major components of error is:

$$V_{\text{LOGOUT}} = (0.5V)(1 \pm \Delta K) \log\left(\frac{I_1 - I_{B1}}{I_2 - I_{B2}}\right) \pm Nm \pm V_{\text{OSO}} \quad (9)$$

The individual component of error is:

ΔK = gain error (0.10%, typ), as specified in the specification table.

I_{B1} = bias current of A_1 (5pA, typ)

I_{B2} = bias current of A_2 (5pA, typ)

N = log conformity error (0.01%, 0.13%, typ)

0.01% for $m = 5$, 0.13% for $m = 7.5$

V_{OSO} = output offset voltage (3mV, typ)

m = number of decades over which N is specified

For example, what is the error when:

$$I_1 = 1\mu\text{A} \text{ and } I_2 = 100\text{nA} \quad (10)$$

(11)

$$V_{\text{LOGOUT}} = (0.5 \pm 0.001) \log\left(\frac{10^{-6} - 5 \cdot 10^{-12}}{10^{-7} - 5 \cdot 10^{-12}}\right) \pm (2)(0.0001)5 \pm 3.0\text{mV}$$

$$= 0.505V$$

Since the ideal output is 0.5V, the error as a percent of the reading is:

$$\% \text{ error} = \frac{0.505V}{0.5} \cdot 100\% = 1.01\% \quad (12)$$

For the case of voltage inputs, the actual transfer function is:

(13)

$$V_{\text{LOGOUT}} = (0.5V)(1 \pm \Delta K) \log\left(\frac{\frac{V_1 - I_{B1} \pm \frac{E_{\text{OS1}}}{R_1}}{R_1}}{\frac{V_2 - I_{B2} \pm \frac{E_{\text{OS2}}}{R_2}}{R_2}}\right) \pm Nm \pm V_{\text{OSO}}$$

Where $\frac{E_{\text{OS1}}}{R_1}$ and $\frac{E_{\text{OS2}}}{R_2}$ (offset error) are considered to be zero for large values of resistance from external input current sources.

PACKAGING INFORMATION

Orderable Device	Status ⁽¹⁾	Package Type	Package Drawing	Pins	Package Qty	Eco Plan ⁽²⁾	Lead/Ball Finish	MSL Peak Temp ⁽³⁾
LOG112AID	ACTIVE	SOIC	D	14	58	Green (RoHS & no Sb/Br)	CU NIPDAU	Level-3-260C-168 HR
LOG112AIDE4	ACTIVE	SOIC	D	14	58	Green (RoHS & no Sb/Br)	CU NIPDAU	Level-3-260C-168 HR
LOG112AIDR	ACTIVE	SOIC	D	14	2500	Green (RoHS & no Sb/Br)	CU NIPDAU	Level-3-260C-168 HR
LOG112AIDRE4	ACTIVE	SOIC	D	14	2500	Green (RoHS & no Sb/Br)	CU NIPDAU	Level-3-260C-168 HR
LOG2112AIDW	ACTIVE	SOIC	DW	16	48	Green (RoHS & no Sb/Br)	CU NIPDAU	Level-3-260C-168 HR
LOG2112AIDWE4	ACTIVE	SOIC	DW	16	48	Green (RoHS & no Sb/Br)	CU NIPDAU	Level-3-260C-168 HR
LOG2112AIDWR	ACTIVE	SOIC	DW	16	1000	Green (RoHS & no Sb/Br)	CU NIPDAU	Level-3-260C-168 HR
LOG2112AIDWRE4	ACTIVE	SOIC	DW	16	1000	Green (RoHS & no Sb/Br)	CU NIPDAU	Level-3-260C-168 HR

⁽¹⁾ The marketing status values are defined as follows:

ACTIVE: Product device recommended for new designs.

LIFEBUY: TI has announced that the device will be discontinued, and a lifetime-buy period is in effect.

NRND: Not recommended for new designs. Device is in production to support existing customers, but TI does not recommend using this part in a new design.

PREVIEW: Device has been announced but is not in production. Samples may or may not be available.

OBSOLETE: TI has discontinued the production of the device.

⁽²⁾ Eco Plan - The planned eco-friendly classification: Pb-Free (RoHS), Pb-Free (RoHS Exempt), or Green (RoHS & no Sb/Br) - please check <http://www.ti.com/productcontent> for the latest availability information and additional product content details.

TBD: The Pb-Free/Green conversion plan has not been defined.

Pb-Free (RoHS): TI's terms "Lead-Free" or "Pb-Free" mean semiconductor products that are compatible with the current RoHS requirements for all 6 substances, including the requirement that lead not exceed 0.1% by weight in homogeneous materials. Where designed to be soldered at high temperatures, TI Pb-Free products are suitable for use in specified lead-free processes.

Pb-Free (RoHS Exempt): This component has a RoHS exemption for either 1) lead-based flip-chip solder bumps used between the die and package, or 2) lead-based die adhesive used between the die and leadframe. The component is otherwise considered Pb-Free (RoHS compatible) as defined above.

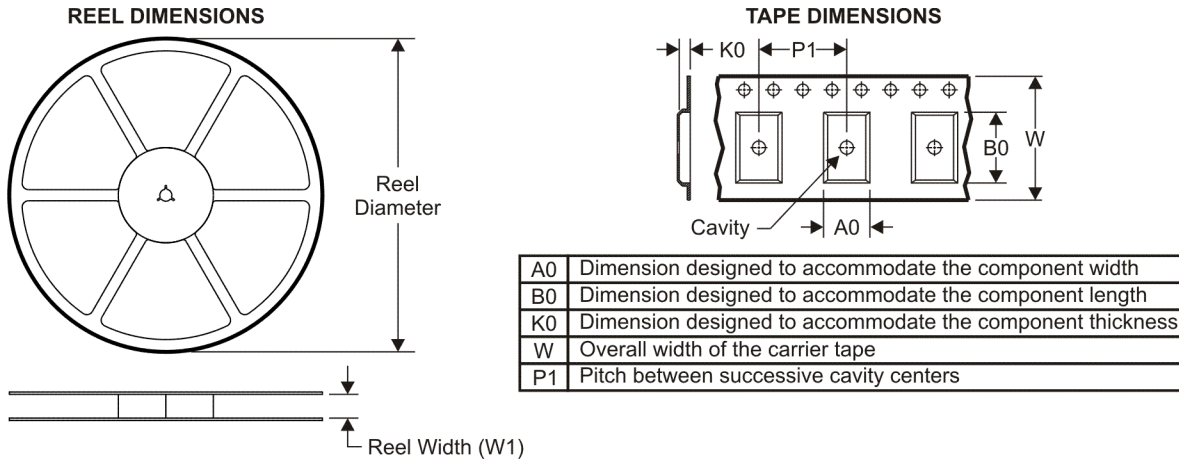
Green (RoHS & no Sb/Br): TI defines "Green" to mean Pb-Free (RoHS compatible), and free of Bromine (Br) and Antimony (Sb) based flame retardants (Br or Sb do not exceed 0.1% by weight in homogeneous material)

⁽³⁾ MSL, Peak Temp. -- The Moisture Sensitivity Level rating according to the JEDEC industry standard classifications, and peak solder temperature.

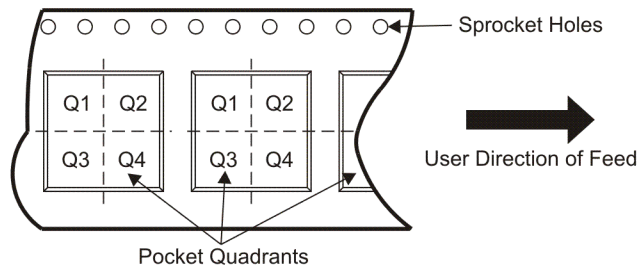
Important Information and Disclaimer:The information provided on this page represents TI's knowledge and belief as of the date that it is provided. TI bases its knowledge and belief on information provided by third parties, and makes no representation or warranty as to the accuracy of such information. Efforts are underway to better integrate information from third parties. TI has taken and continues to take reasonable steps to provide representative and accurate information but may not have conducted destructive testing or chemical analysis on incoming materials and chemicals. TI and TI suppliers consider certain information to be proprietary, and thus CAS numbers and other limited information may not be available for release.

In no event shall TI's liability arising out of such information exceed the total purchase price of the TI part(s) at issue in this document sold by TI to Customer on an annual basis.

TAPE AND REEL INFORMATION



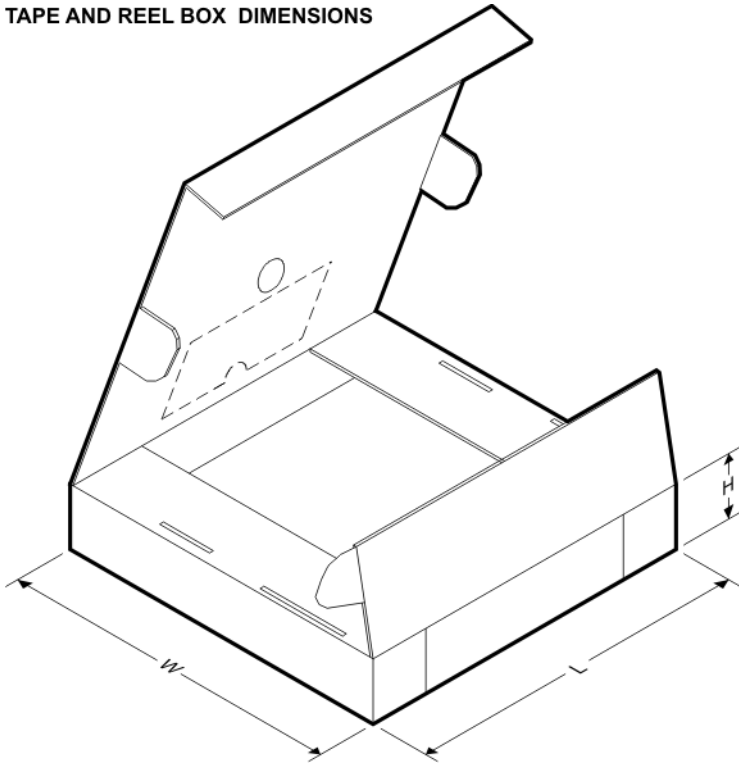
QUADRANT ASSIGNMENTS FOR PIN 1 ORIENTATION IN TAPE



*All dimensions are nominal

Device	Package Type	Package Drawing	Pins	SPQ	Reel Diameter (mm)	Reel Width W1 (mm)	A0 (mm)	B0 (mm)	K0 (mm)	P1 (mm)	W (mm)	Pin1 Quadrant
LOG112AIDR	SOIC	D	14	2500	330.0	16.4	6.5	9.0	2.1	8.0	16.0	Q1
LOG2112AIDWR	SOIC	DW	16	1000	330.0	16.4	10.85	10.8	2.7	12.0	16.0	Q1

TAPE AND REEL BOX DIMENSIONS

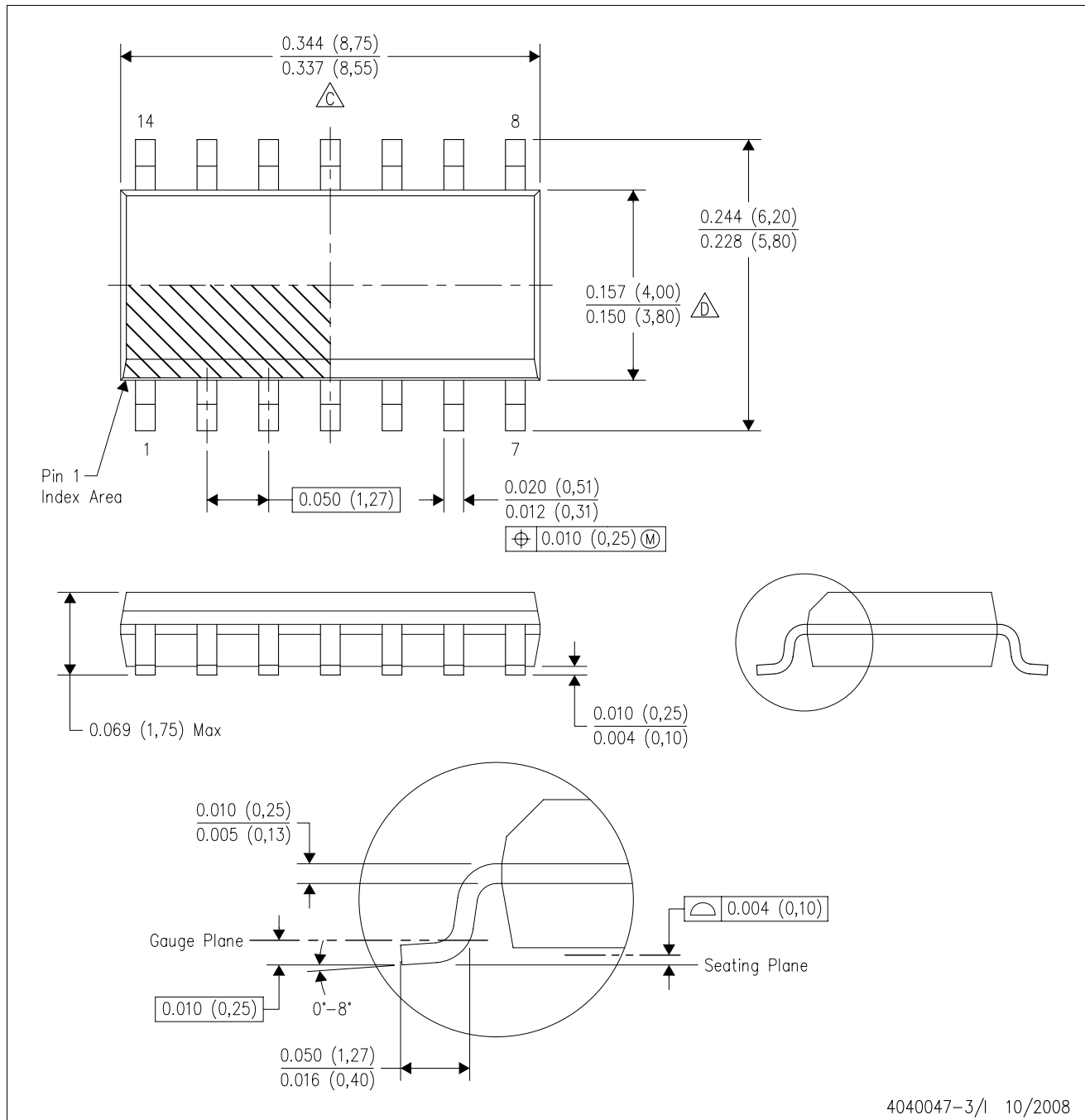


*All dimensions are nominal

Device	Package Type	Package Drawing	Pins	SPQ	Length (mm)	Width (mm)	Height (mm)
LOG112AIDR	SOIC	D	14	2500	346.0	346.0	33.0
LOG2112AIDWR	SOIC	DW	16	1000	346.0	346.0	33.0

D (R-PDSO-G14)

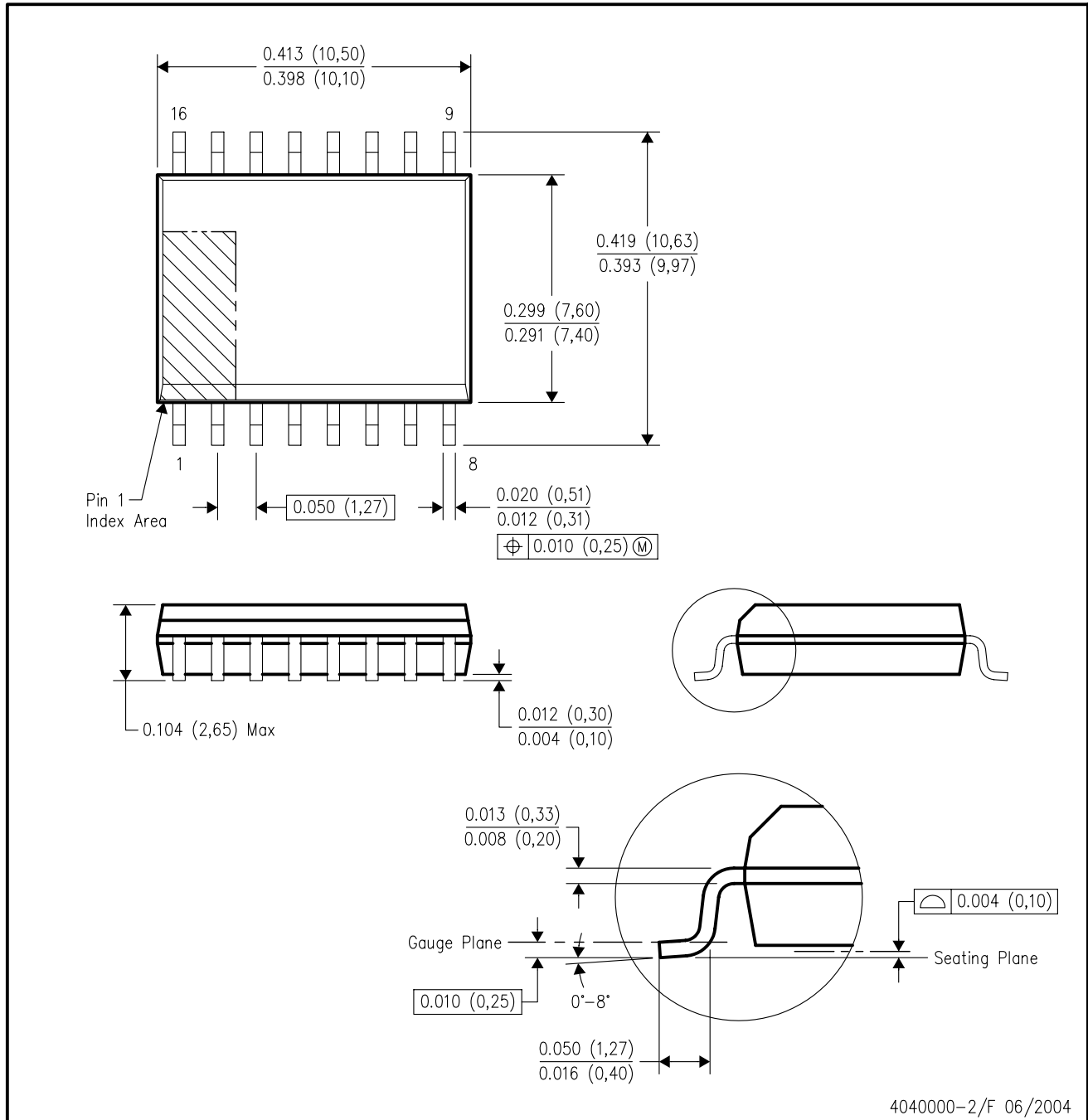
PLASTIC SMALL-OUTLINE PACKAGE



- NOTES:
- A. All linear dimensions are in inches (millimeters).
 - B. This drawing is subject to change without notice.
 - C. Body length does not include mold flash, protrusions, or gate burrs. Mold flash, protrusions, or gate burrs shall not exceed .006 (0,15) per end.
 - D. Body width does not include interlead flash. Interlead flash shall not exceed .017 (0,43) per side.
 - E. Reference JEDEC MS-012 variation AB.

DW (R-PDSO-G16)

PLASTIC SMALL-OUTLINE PACKAGE



4040000-2/F 06/2004

- NOTES:
- A. All linear dimensions are in inches (millimeters).
 - B. This drawing is subject to change without notice.
 - C. Body dimensions do not include mold flash or protrusion not to exceed 0.006 (0,15).
 - D. Falls within JEDEC MS-013 variation AA.

IMPORTANT NOTICE

Texas Instruments Incorporated and its subsidiaries (TI) reserve the right to make corrections, modifications, enhancements, improvements, and other changes to its products and services at any time and to discontinue any product or service without notice. Customers should obtain the latest relevant information before placing orders and should verify that such information is current and complete. All products are sold subject to TI's terms and conditions of sale supplied at the time of order acknowledgment.

TI warrants performance of its hardware products to the specifications applicable at the time of sale in accordance with TI's standard warranty. Testing and other quality control techniques are used to the extent TI deems necessary to support this warranty. Except where mandated by government requirements, testing of all parameters of each product is not necessarily performed.

TI assumes no liability for applications assistance or customer product design. Customers are responsible for their products and applications using TI components. To minimize the risks associated with customer products and applications, customers should provide adequate design and operating safeguards.

TI does not warrant or represent that any license, either express or implied, is granted under any TI patent right, copyright, mask work right, or other TI intellectual property right relating to any combination, machine, or process in which TI products or services are used. Information published by TI regarding third-party products or services does not constitute a license from TI to use such products or services or a warranty or endorsement thereof. Use of such information may require a license from a third party under the patents or other intellectual property of the third party, or a license from TI under the patents or other intellectual property of TI.

Reproduction of TI information in TI data books or data sheets is permissible only if reproduction is without alteration and is accompanied by all associated warranties, conditions, limitations, and notices. Reproduction of this information with alteration is an unfair and deceptive business practice. TI is not responsible or liable for such altered documentation. Information of third parties may be subject to additional restrictions.

Resale of TI products or services with statements different from or beyond the parameters stated by TI for that product or service voids all express and any implied warranties for the associated TI product or service and is an unfair and deceptive business practice. TI is not responsible or liable for any such statements.

TI products are not authorized for use in safety-critical applications (such as life support) where a failure of the TI product would reasonably be expected to cause severe personal injury or death, unless officers of the parties have executed an agreement specifically governing such use. Buyers represent that they have all necessary expertise in the safety and regulatory ramifications of their applications, and acknowledge and agree that they are solely responsible for all legal, regulatory and safety-related requirements concerning their products and any use of TI products in such safety-critical applications, notwithstanding any applications-related information or support that may be provided by TI. Further, Buyers must fully indemnify TI and its representatives against any damages arising out of the use of TI products in such safety-critical applications.

TI products are neither designed nor intended for use in military/aerospace applications or environments unless the TI products are specifically designated by TI as military-grade or "enhanced plastic." Only products designated by TI as military-grade meet military specifications. Buyers acknowledge and agree that any such use of TI products which TI has not designated as military-grade is solely at the Buyer's risk, and that they are solely responsible for compliance with all legal and regulatory requirements in connection with such use.

TI products are neither designed nor intended for use in automotive applications or environments unless the specific TI products are designated by TI as compliant with ISO/TS 16949 requirements. Buyers acknowledge and agree that, if they use any non-designated products in automotive applications, TI will not be responsible for any failure to meet such requirements.

Following are URLs where you can obtain information on other Texas Instruments products and application solutions:

Products

Amplifiers	amplifier.ti.com
Data Converters	dataconverter.ti.com
DSP	dsp.ti.com
Clocks and Timers	www.ti.com/clocks
Interface	interface.ti.com
Logic	logic.ti.com
Power Mgmt	power.ti.com
Microcontrollers	microcontroller.ti.com
RFID	www.ti-rfid.com
RF/IF and ZigBee® Solutions	www.ti.com/lprf

Applications

Audio	www.ti.com/audio
Automotive	www.ti.com/automotive
Broadband	www.ti.com/broadband
Digital Control	www.ti.com/digitalcontrol
Medical	www.ti.com/medical
Military	www.ti.com/military
Optical Networking	www.ti.com/opticalnetwork
Security	www.ti.com/security
Telephony	www.ti.com/telephony
Video & Imaging	www.ti.com/video
Wireless	www.ti.com/wireless

Mailing Address: Texas Instruments, Post Office Box 655303, Dallas, Texas 75265
Copyright © 2008, Texas Instruments Incorporated